

BestLight GROUP

LED Downlight Specification

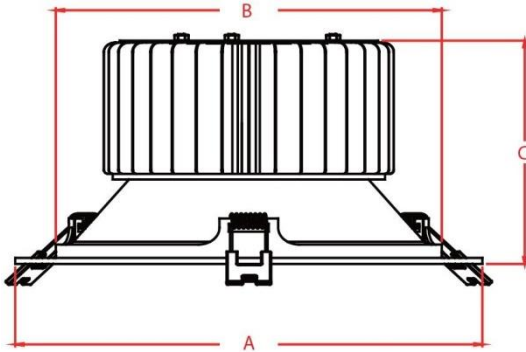
Features :

- Adopt high purity Aluminum finned radiator ,the fin surface treatment of anodic oxidation,lighter weight ,smaller size.
- Adopt CREE /Philips LED chips imported from America,high CRI and high efficiency ,up to 130lm/W.
- Adopt Constant-current constant-voltage power supply ,operates in the 85~305 VAC range,widely use in every country.
- Adopt magnetic levitation Company fan,noise lower than 5 db,longer lasting .
- Adopt ABS waterproof circle ring ,anti-flaming94V0.
- Adopt high end diffuser ,high lumen output,soft light ,no glare.
- Dimming(0-10V/Triac/Dali) and professional lighting(Emergency/RGB) customized available.

Product Appearance :



Dimensions :



Inch	A-Size	B-Cut Out	C-High
5'	175mm	140mm	120mm
6'	200mm	170mm	120mm
8'	225mm	200mm	130mm
9'	235mm	210mm	130mm
10'	270mm	240mm	130mm
11'	300mm	280mm	180mm
12'	340mm	300mm	180mm

MAIN SPECIFICATIONS 主要参数(t=20°C)

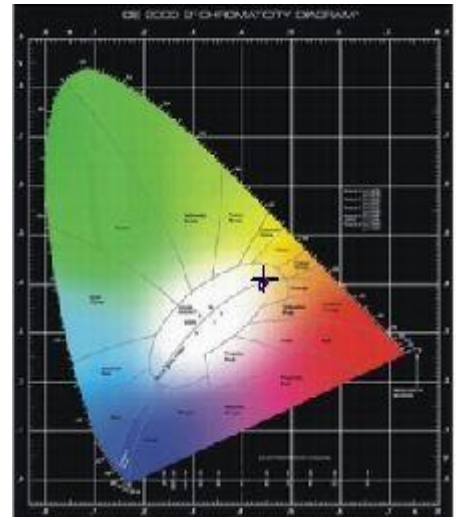
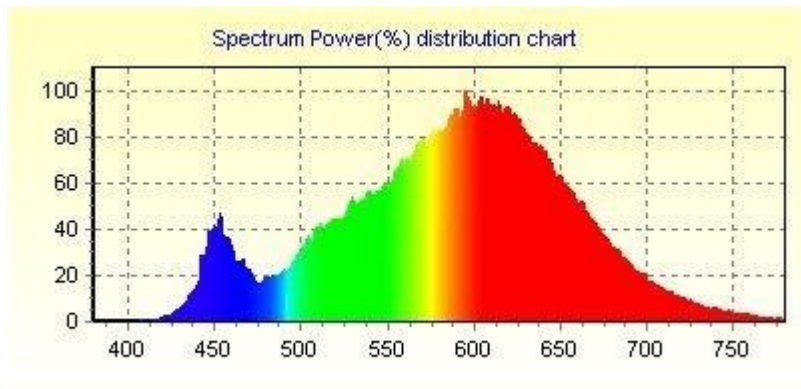
Type	MD-SD-50W	MD-SD-60W	MD-SD-80W	MD-SD-100W	MD-SD-120W	MD-SD-150W	MD-SD-200W
Power	50W	60W	80W	100W	120W	150W	200W
Input voltage	AC85-305V 480-528V DC12/24/36/48V						
Frequency range	50-60Hz						
luminous efficiency	100-110lm/w						
Lamp's efficiency	>90%						
Color temperature	Warm white			2700-3500K			
	Pure white			4000-5000K			
	Cold white			6000-7000K			
Color rendering index	>80						
Beam angle	30°、45°、60°、90°、120°						
Light distribution	Round spot						
Light design	LED+lens						
LED	≤30°C						
Junction temperature							
Working temperature	-30°C——+55°C						
Storage temperature	-25°C——+65°C						
IP Grade	IP65						
Working life-span	50000H						
Connect wire	Brown			L			
	Blue			N			
	Yellow/Green			G			
Color of lamp shell	White						

Research Report:

LED Integrated Testing System testreport

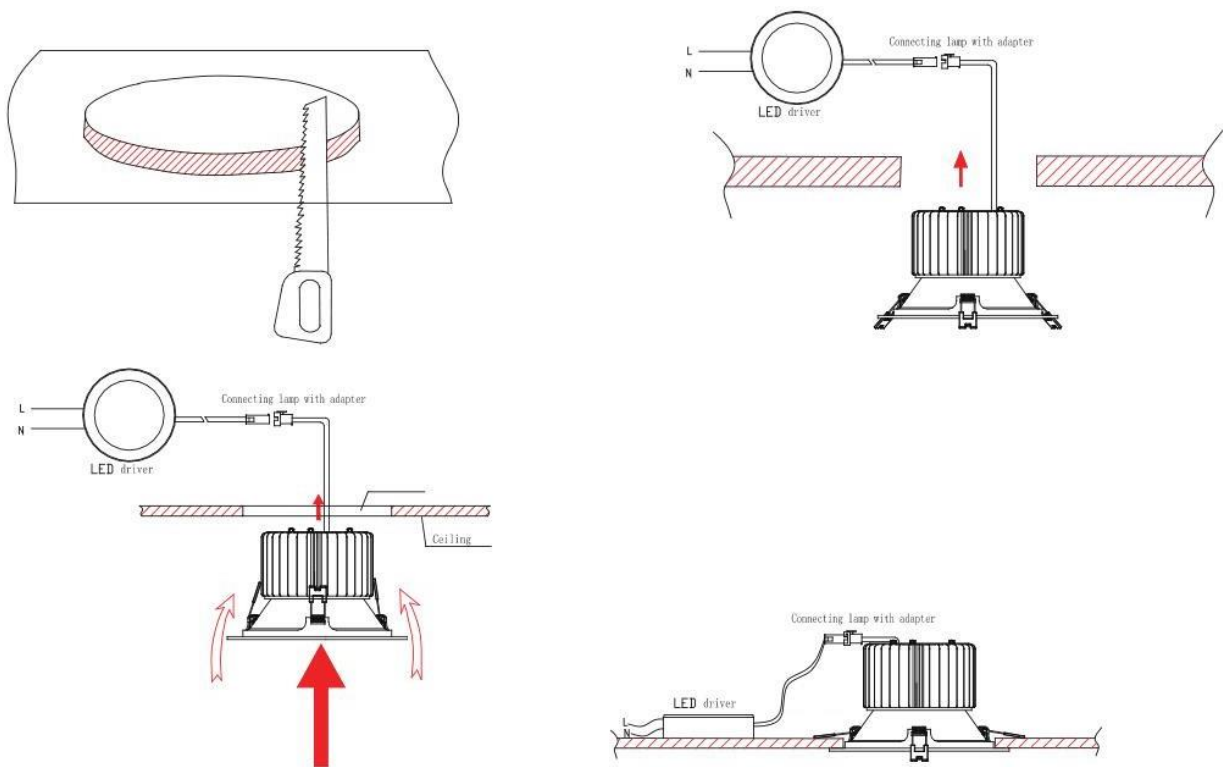
test item:	LED spectrum analyse		
equipment:	Led test system		
Test Identifier	Mode:	Manufacturer:	
	Temperature:	Humidity:	
	Conner:	Date:	
	Organ:		

curve of spectrum power distributing



Spectrum		Electrical		
λ (Peak):	595.0 nm	I(test):	232.000 mA	
λ (Main):	582.1 nm	Vf:	217.700 V	
λ (Centroid):	544.6 nm	ϕ_v :	5343.3 lm	
λ (Center):	487.0 nm	Efficiency:	110.088 lm/w	
BandWidth:	131.0 nm	P:	48.5 W	
ColorTemp:	2980 K	PFC:	0.961	
CIE(x,y):	0.4424, 0.4123	R1:82.9	R2:91.5	R3:96.3
CIE(u,v):	0.2505, 0.3503	R4:79.7	R5:79.5	R6:87.5
Ra:	83.7	R7:87.6	R8:64.8	R9:14.8
Purity:	0.566	R10:79.7	R11:74.1	R12:69.4
Light Power:	16762.5149 mw	R13:84.8	R14:98.1	R15:76.2
Radiation Power:	0.0000 mw	color ratio:	R: 45.5 % G: 42.2 % B: 12.3 %	

Fixing Ways:



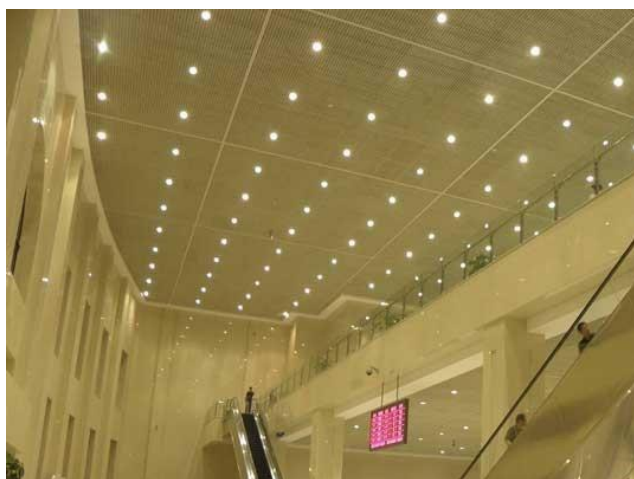
Packing

1、6PCS/CTN

(Standard)	长 (L)	宽 (W)	高 (H)	GW (Kg)
In Bo	270mm	270mm	140mm	1.2kg
Outer Box	575mm	465mm	360mm	8.5kg

Applications

Suitable for railway stations, Terminal, waiting room, exhibition center, museum ,government projects etc., atrium, auditorium, convention center, Lobby,church ,Hotel or other high ceiling areas.



Matters Need Attention 注意事项：

1. Please ensure that the main power source is switched off before performing any maintenance or repair.
2. Please do not use water or Corrosive Property to clean , cleaning with a dry rag is the best.
3. In the progressing of replace LED Driver,please use a hexagonal screwdriver to open rear cover and take out the driver, connect the new AC input driver wiring as the figure show in the driver.